

WELCOME TO "THE WORLD'S SAFEST WARMING MATTRESS PAD!"™



FEATURES

- Our patented Safe & Warm™ technology - the ultimate in safety
- Soft undetectable wiring allows comfortable use throughout the year
- Machine washable and dryable
- Easy to read, easy to use, non-slip computerized controller with automatic dimming lamp for dark rooms
- Smart Prewarm - automatically prewarms to your dial setting (see assembly steps 6 & 7)
- Automatic shutoff after ten hours
- No harmful electromagnetic radiation

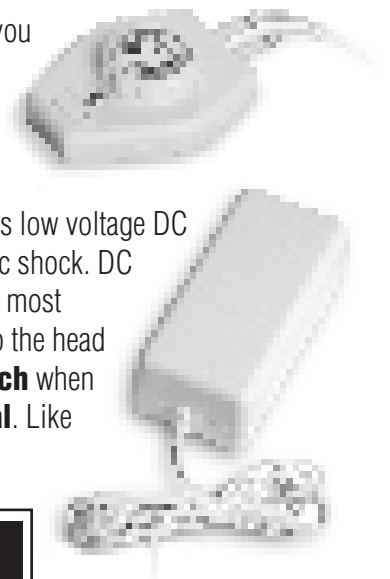
Until now electric mattress pads in North America have operated at 120 volts. Perfect Fit Industries, innovators of better sleep products since 1932, has designed and built this mattress pad to operate with non-hazardous DC low voltage, providing you with the safest electric mattress pad ever produced.

Not only is your new electric mattress pad extra safe, it is the ultimate in comfort in versatility. The wires are so thin they are virtually unnoticeable. You do not have to store this mattress pad during the summer - just leave it on your bed without turning it on. When it gets dirty, throw it into the automatic washing machine and then into your dryer (see care instruction for details).

This is truly the finest warming mattress pad ever made – anywhere in the world.

CONTROLLER & POWER SUPPLY

The **controller** allows you to vary the amount of heat your mattress pad produces. After you push the ON-OFF switch, the lamp comes on and your mattress pad heats. When ON and operating properly, **the controller will be slightly warm to the touch**. The higher the dial setting, the warmer it will be. **This is completely normal and safe.**



The **power supply** changes normal 120 volt AC household electricity into non-hazardous low voltage DC electricity (similar to a battery) to assure that the mattress pad never causes you an electric shock. DC also means that this mattress pad never produces any harmful electromagnetic fields. The most convenient location for the power supply will normally be out of sight on the floor close to the head of the bed. Just like any other power supply or transformer, **it will be warm to the touch** when the mattress pad is in use and slightly warm when the mattress pad is off. **This is normal.** Like the controller, the higher the dial setting, the warmer it will be.

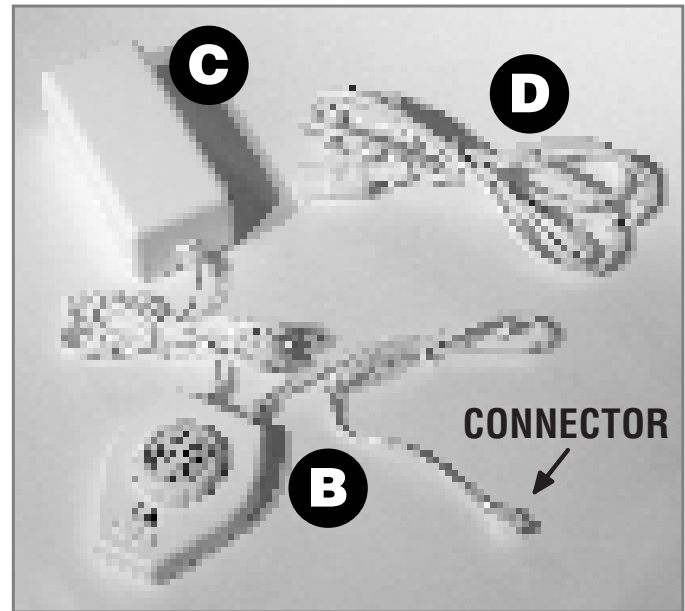
This mattress pad is guaranteed to keep you warm.
IT IS NOT A HEATING PAD. IT WILL NOT FEEL WARM TO YOUR HAND'S TOUCH.
You must sleep on it to experience the warmth.



YOU SHOULD HAVE THE FOLLOWING ITEMS

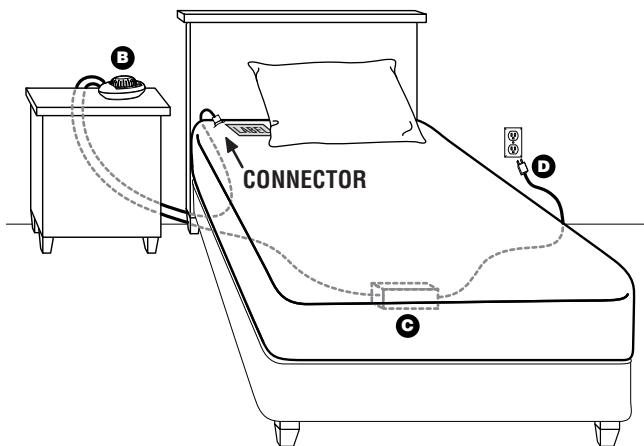
- A. Mattress pad (not shown in illustration)
- B. Controller with connector cord for attaching to the head of the mattress pad
- C. Power Supply (with cord attaching to controller)
- D. Six foot power cord (may be permanently connected to the power supply on some models)

* For items **B**, **C** and **D** you should have one of each if you purchased a **Twin or Full** size mattress pad. You should have two of each if you purchased a **Queen or King** mattress pad (each side operates completely independently).



ASSEMBLY DIAGRAM

Twin or Full Size Mattress Pad (1 Controller)

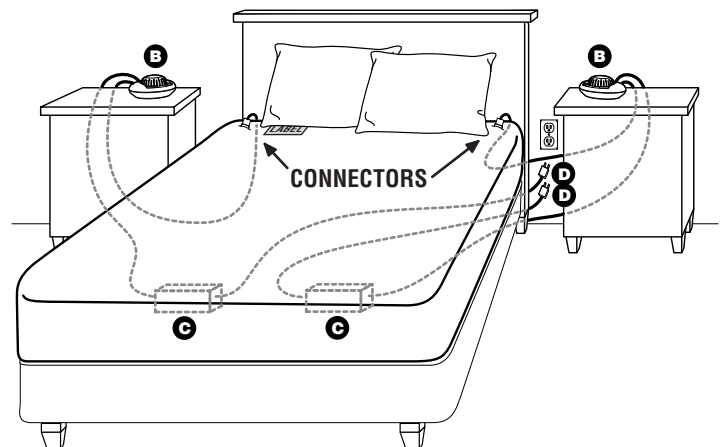


**"Use & Care" Label
Must Face Up**

NEVER
route cords between
the mattress and box spring

Queen or King Size Mattress Pad (2 Controllers)

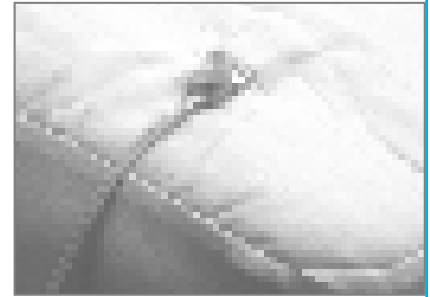
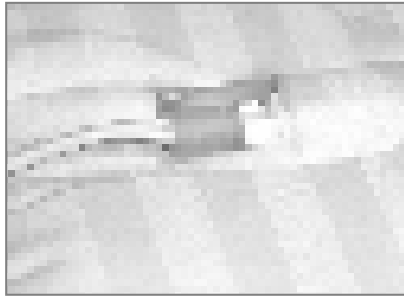
Each side operates completely independently



ASSEMBLY PROCEDURE

Note: Steps 2 through 8 will be repeated for Dual Control Models (Queen and King sizes)

1. Place the mattress pad on the bed with the "Use and Care" label facing up and located at the pillow end of the bed.
2. Place the controller and the power supply similar to the illustration.
3. Attach the connector cord to the connector at the head of the mattress pad. The connector cord has a safety latch which will lock the cord in place. The latch must be depressed to attach it.



4. Connect the 6' power cord to the power supply (on those models that are not permanently connected) and plug the other end into a normal electrical outlet. It is safe to use a UL listed power-strip extension cord if required.
5. Set your controller dial to your personal comfort level. (Try a high setting the first night.) Push the ON-OFF button once and the lamp under the dial setting will come on indicating that your setup has been done correctly.
6. The mattress pad then goes into "prewarm mode" and will continue to prewarm until the mattress pad reaches your dial setting. The mattress pad will then continue to heat at your dial setting all night.
7. If you wish your bed to be extra warm when you first get into it, you may turn on the mattress pad approximately 30 minutes before retiring (or longer if you wish even more warmth) with the dial set at HI. Then reset the dial to your desired all-night warmth level. (Please see the note in **BOLD CAPS** below.)
8. You may adjust the dial setting at any time and the automatic prewarm feature will not reactivate. However if you push the controller button OFF or unplug any of the wires, the mattress pad will turn OFF. The automatic prewarm feature is again activated upon startup.

IMPORTANT NOTES:

- Make sure the "Use and Care" label and the connectors are located at the head of the bed.
- None of the cords should be tucked under the mattress or the mattress pad will not operate properly.
- Use any bed linens you wish EXCEPT never use another electrically heated product together with this heating mattress pad.
- This mattress pad is for home use only - it is not intended for hotel or other institutional use.

NOTE: YOUR WARMING MATTRESS PAD IS ENGINEERED TO PROVIDE YOU WITH GENTLE, RELAXING ALL-NIGHT WARMTH. IT IS NOT INTENDED TO BE A SUBSTITUTE FOR THE INTENSE PAIN-RELIEVING HEAT OF A HEATING PAD. IT WILL NOT FEEL HOT TO THE TOUCH AS A HEATING PAD DOES.

CARE INSTRUCTIONS

WASHING INSTRUCTIONS

IMPORTANT: NEVER DRY CLEAN THIS MATTRESS PAD OR USE BLEACH!

MACHINE WASHING

Disconnect the cord(s) from the mattress pad. Place it in the washing machine and fill the tub with warm water. Add a small amount of detergent and then let soak for 5 minutes. Agitate on the delicate or gentle cycle for two minutes. Spin on normal speed. Fill the tub for a cool rinse. Agitate for one minute and spin dry. NEVER put your mattress pad through a wringer.

HAND WASHING

Washing your mattress pad by hand is the best way to make it last. To do this, disconnect the cord(s) from the mattress pad. Wash your mattress pad separately by hand in a tub of lukewarm (100°F) water using a small amount of mild laundry soap or detergent. Soak the warming mattress pad for 5 minutes. Next gently work the mattress pad up and down for five more minutes. NEVER rub or scrub. Rinse thoroughly in cool water until all traces of soap or detergent are gone. Squeeze excess water out by hand. NEVER twist your warming mattress pad.

DRYING INSTRUCTIONS

IMPORTANT: NEVER USE COMMERCIAL DRYERS AT THE LAUNDROMAT – THEY MAY BE EXTRA HOT AND THE HEAT COULD DAMAGE THE WIRE. NEVER PLUG IN YOUR WARMING MATTRESS PAD WHILE DAMP. NEVER IRON THE WARMING MATTRESS PAD.

MACHINE DRY

To machine dry, put your warming mattress pad into a dryer on low heat and allow to tumble until dry. Assure your mattress pad has enough room to tumble freely.

LINE DRY

You can line dry your warming mattress pad simply by draping the warming mattress pad over two parallel clotheslines or a shower rod with the head and foot ends down.

STORAGE Store away as you would any other mattress pad, folded in a dry place.

WARRANTY & REPAIR

LIMITED WARRANTY

Your new warming mattress pad is warranted to be free from defects in material and workmanship for a period of five years from the date of consumer purchase or receipt as a gift. This warranty does not include damage to the product resulting from accident, misuse, or abuse, including any use contrary to these instructions.

WARRANTY REPLACEMENTS

If this mattress pad should become defective within the warranty period, we will elect to repair or replace it free of charge, including free return transportation.

In order to return your mattress pad, call us for a "Return Goods Authorization Number", which will be the reference for any questions that may occur. Our Customer Service Specialist is available to help you with addresses, methods of shipping, necessary information to be enclosed, etc. so that your mattress pad can be returned to you promptly in like-new operating condition.

For warranty questions or any other questions concerning this mattress pad, please call us toll free at 1-800-299-1378 between 8 am and 5 pm Eastern Time or email at custserv@perfectfitindustries.com.

Before returning this mattress pad to the retailer, if you need assistance with the set-up or operation, call us first. We can help! Call toll free at 1-800-299-1378 Monday through Friday 8-5 Eastern Time or write us at custserv@perfectfitindustries.com.

TROUBLE SHOOTING

Q: The lamp on my controller does not light up.

A: Assure all the wire connections are tight. Assure that the power supply cord is connected to an "energized" socket (try a lamp to verify that the outlet is working properly). If the controller still does not light up, phone our Customer Service Dept. at 1-800-299-1378.

Q: The controller lamp is lit but the mattress pad does not heat up.

A: Test the mattress pad by folding it over on itself and turning the dial setting to HI. Assure the controller lamp is lit. After approximately five minutes, carefully feel between the layers. Never leave the mattress pad turned on and folded up for more than a few minutes. If there is no warmth, contact our Customer Service Dept. at 1-800-299-1378. If there is warmth, unfold the mattress pad and try sleeping on it. (See next question also.)

Q: I feel some warmth but not a lot. How warm should this mattress pad get?

A: This mattress pad will provide enough warmth to keep you quite comfortable even in an extremely cold room with only a light blanket on top. You should spend several nights experimenting with settings until you find your personal comfort level. This mattress pad is not like a heating pad (this amount of heat would be too hot to use all night long). In normal operation, warming mattress pads do not feel hot to the touch.

Q: My mattress pad works fine but then seems to shut off.

A: The 10 hour automatic shutoff feature may have activated. Simply push the ON button again and your mattress pad will heat for an additional ten hours or until you turn it off. If ten hours have not elapsed, check that all your connections are tight and the wall outlet is not turned off.

Q: How much money will this mattress pad save me on my heating bill?

A: Your savings will depend upon how many degrees you turn your furnace thermostat down while sleeping. You should save at least 1% of your heating bill for every 1 degree you set your thermostat back at night. For example, if you set your thermostat back 5 degrees while using your warming mattress pad for 8 hours, you should save 5% on your monthly heating bill. Many people can save even more while sleeping better in a cooler environment.

Q: Does this product have enough electromagnetic field to worry about?

A: This mattress pad uses direct current (from the power supply), not alternating current. While some scientists think AC electricity may cause certain health problems, DC electricity has never been thought to pose any health problems.

Q: What is low voltage?

A: Our mattress pads use between 14 and 18 volts depending upon the model. Other mattress pads in North America use 120 volts. It would be extremely unlikely, and indeed almost impossible, to receive an electrical shock from this low-voltage mattress pad.

Q: Can I sit or lie on my electric mattress pad?

A: Just sitting or lying on the mattress pad will not harm it. Jumping on it or other similar abuse may damage it.

Q: Why are my power supply and controller warm?

A: Just as with any other appliance using a transformer (e.g. laptop computer, battery charger, etc.) heat is produced when the 120VAC from your wall outlet is transformed into non-hazardous low voltage current. This warmth is completely normal and is nothing to be concerned about. The power consumed is approximately 1 watt (much less than a typical night light).

Q: My power supply sparked at the wall outlet when I plugged it in.

A: Yes, many electrical appliances will sometimes "snap" due to the inrush of electricity when first plugged in. This is completely normal and nothing to be concerned about.

Q: Do electric mattress pads really help asthma and allergy symptoms?

A: Warming mattress pads remove moisture from your bedding. Dust mites do not thrive in a dry environment.

Q: Do electric mattress pads help relieve symptoms of arthritis or fibromyalgia?

A: We have received many letters from sufferers saying they do. Additionally, the Arthritis Foundation's book, "Arthritis 101", states that heat treatments relax your muscles, stimulate circulation and combat morning stiffness.

If you have other questions, please feel free to contact our Customer Service Department at 1-800-299-1378 M-F 8-5 Eastern Time or email us at custserv@perfectfitindustries.com. If you need assistance with the setup or operation of this mattress pad, please do not return this product to the retailer. We are here to help. Perfect Fit Industries has been in business since 1932 and our reputation rests on providing you thoroughly modern, safe and reliable products.

IMPORTANT INSTRUCTIONS - DO NOT DESTROY

SAFETY WARNINGS

This warming mattress pad will be a part of your household for years to come. To operate it properly and safely, there are some critical safety precautions you need to follow. As with all electrical products, there is an inherent danger of overheating if the product is not used correctly. Please carefully read what follows before using the warming mattress pad.

NEVER USE THIS WARMING MATTRESS PAD WITH:

- Infants or very small children
- People with disabilities
- Anyone who is helpless or cannot operate the controls properly
- Anyone who is insensitive to heat (for example, a person with poor blood circulation)
- Anyone who cannot or will not understand these directions.

SAFETY ESSENTIALS: SETTING UP

- NEVER trap or pinch any of the electrical cords in any way. Make sure the cords are NEVER routed between the mattress and box springs.
- If the plug does not fit into your outlet, contact a qualified electrician.
- Be sure that the warming mattress pad power supply is used ONLY on 120 volt, 60 hertz current supply.
- Make sure the cord from the power supply to the mattress pad is connected and locked tightly.
- NEVER use your electric mattress pad with a waterbed, an airbed, a pull-out sofa, or a mechanically adjustable bed.
- You may use your electric mattress pad with any other sheets or mattress pads but NEVER in combination with any other *electric* mattress pads or mattress pads.
- The heated area of the warming mattress pad should always lie flat on top of the mattress to prevent overheating.
- The warming mattress pad should NEVER be folded, balled up or bunched up in any way when in use (may result in overheating and/or permanent wrinkling of the fabric).
- NEVER use pins in or around the warming mattress pad (may damage the heating elements).
- Cats, dogs and other pets should always be kept away from the mattress pad (a sharp claw may result in damage to the heating element).

SAFETY ESSENTIALS: CARE AND MAINTENANCE

- Always turn off the electric current when the mattress pad is not use, either by turning off the controller or unplugging the power supply from the wall outlet.
- NEVER iron your mattress pad.
- NEVER use dry cleaning fluid on this mattress pad. Cleaning solvents may damage the wiring insulation.

If you observe this mattress pad operating improperly, discontinue use immediately and call the Perfect Fit Customer Service Department at 1-800-299-1378 or email to custserv@perfectfitindustries.com.

This appliance complies with applicable technical standards set forth by the Federal Communications Commission (FCC). In accordance with the rules and regulations of the FCC, changes or modifications to this appliance, not expressly approved in writing by Perfect Fit Industries, Inc., could void the user's authority to operate this appliance.



©2004 Perfect Fit Industries. Safe & Warm Technology™ and The World's Safest Heated Mattress Pad™ are registered trademarks of Perfect Fit Industries. U.S. Patent 6,713,724. Other U.S. and foreign patents pending.